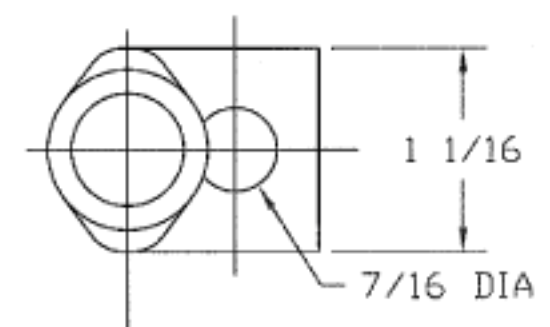
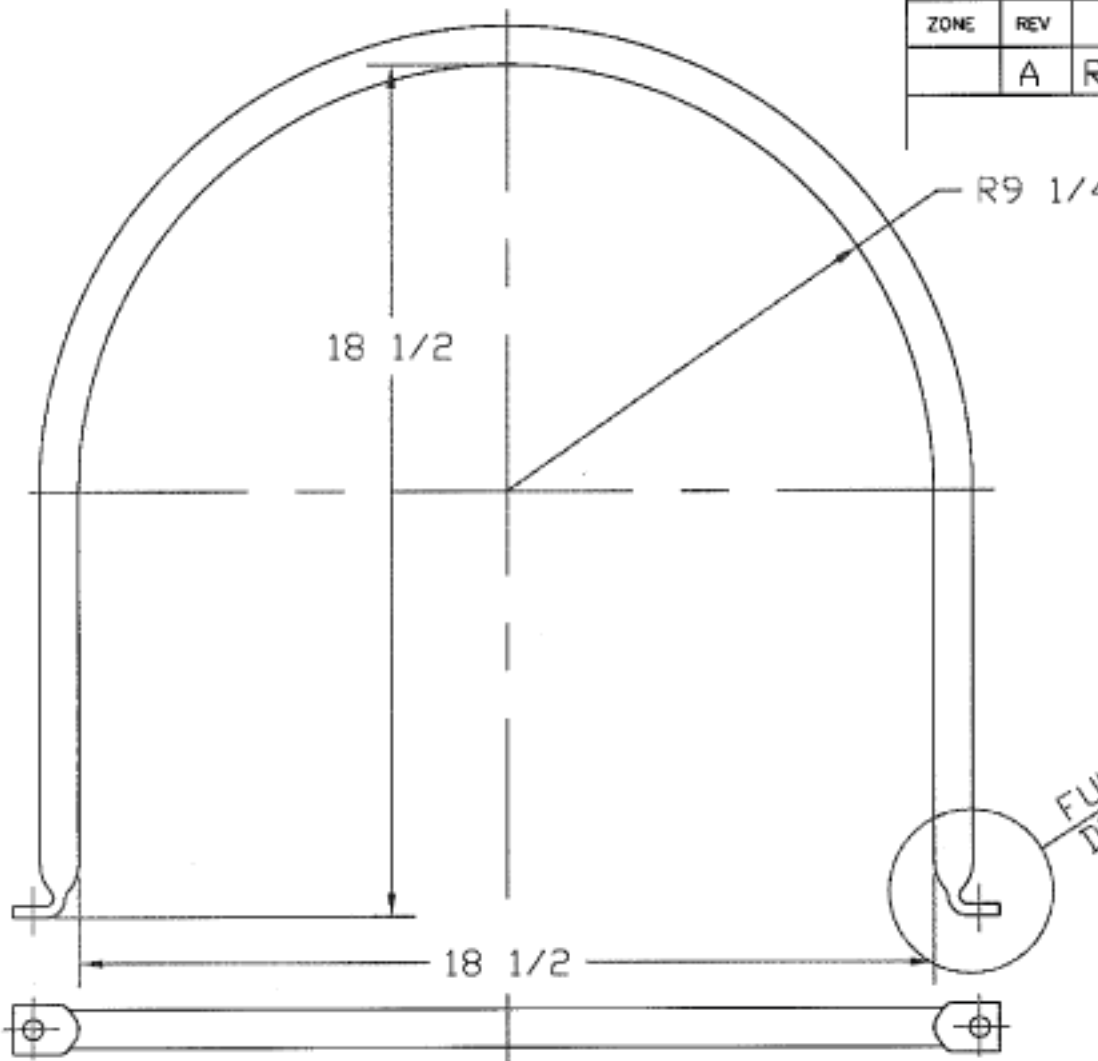
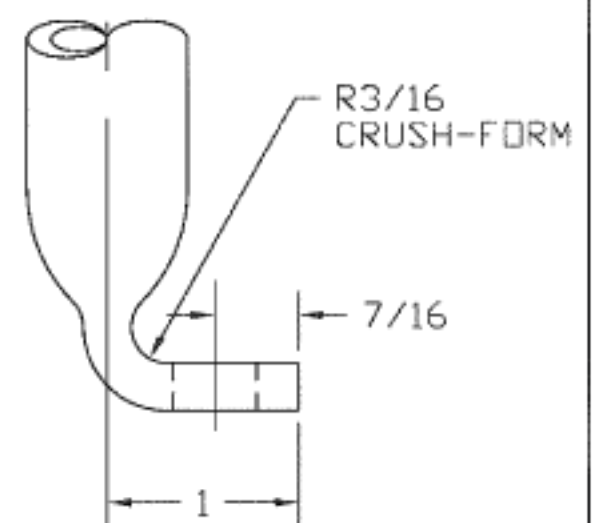


REVISIONS				
ZONE	REV	DESCRIPTION	DATE	APPROVED
	A	REDRAWN	09SEP97	



FULL SCALE
DETAIL



MAT'L: 1/2" GALVANIZED EMT CONDUIT



BAND, 35 GALLON
HORIZONTAL TANK

JTP	09SEP97	SIZE A	FSCM NO.	DWG NO.	REV A
		SCALE 1/4	SHEET		